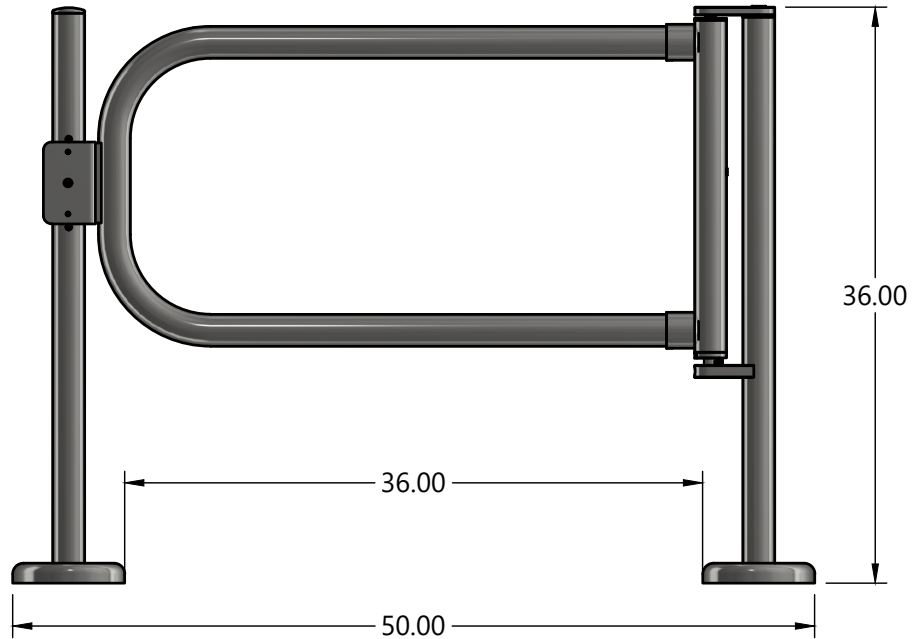
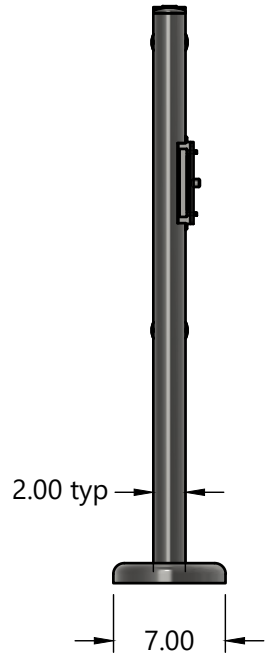




REVISIONS

ZONE	REV	DESCRIPTION	DATE	APPROVED
------	-----	-------------	------	----------



4X Ø.75 at 90°
on 4.0 bolt circle (typ)



Unless otherwise specified, all dimensions are in inches.

.XXX +/- .005

.XX +/- .010

.X +/- .03

Surface finish 125 RMS Max

Break all edges & sharp corners

This drawing is the property of Hayward Turnstiles, Inc., and contains proprietary information. It may not be copied, reproduced or transmitted in any manner to a third party without prior written permission from Hayward Turnstiles, Inc.

HAYWARD TURNSTILES, INC.

TITLE

SG100 Left Hand Electric (standard)

Material: stainless steel

Finish: brushed

Drawn:

SIZE

A

CODE

DWG NO

SG100 LH-E

REV

SCALE

1:10

WEIGHT

SHEET

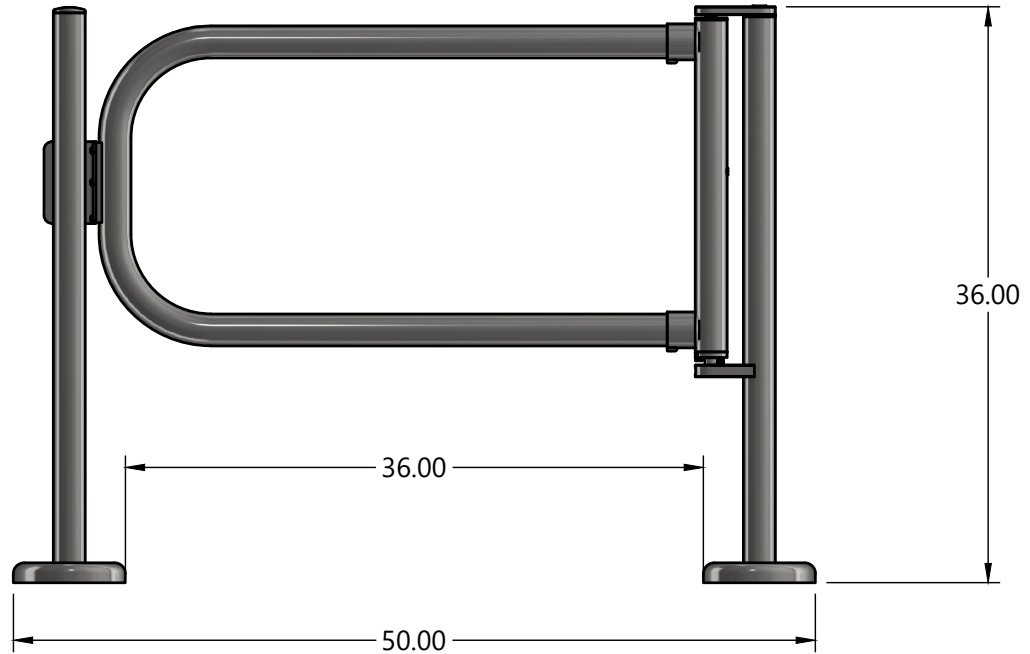
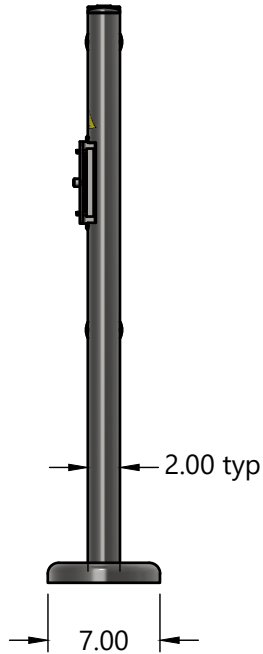
1/1





REVISIONS

ZONE	REV	DESCRIPTION	DATE	APPROVED
------	-----	-------------	------	----------



Unless otherwise specified, all dimensions are in inches.

.XXX +/- .005

.XX +/- .010

.X +/- .03

Surface finish 125 RMS Max

Break all edges & sharp corners

This drawing is the property of Hayward Turnstiles, Inc., and contains proprietary information. It may not be copied, reproduced or transmitted in any manner to a third party without prior written permission from Hayward Turnstiles, Inc.

HAYWARD TURNSTILES, INC.

TITLE

SG100 RH Swing Electric (standard)

Material: Stainless Steel

Finish: Brushed

Drawn:

SIZE

A

CODE

DWG NO

SG100 RH-E

REV

SCALE

1:12

WEIGHT

SHEET

1/1

