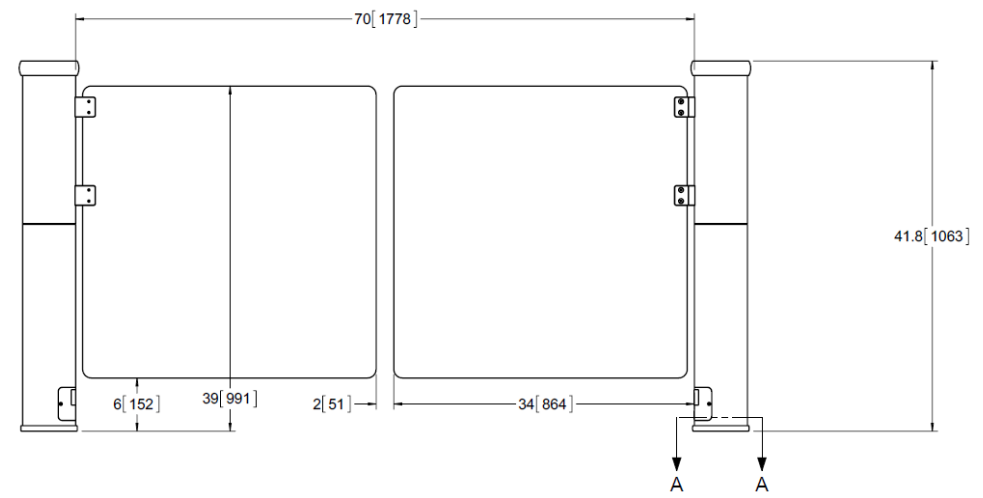
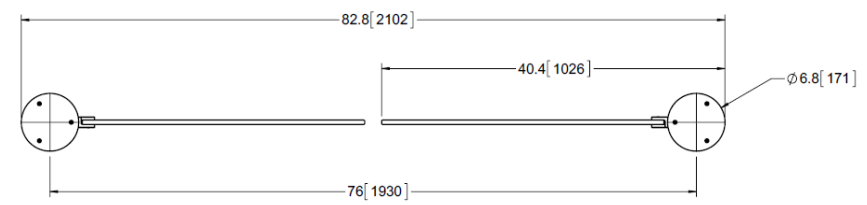


Unless Otherwise Specified All Dimensions are in Inches

This drawing is to show dimensions of our products and should not be taken as a final visual representation. Drawings not to scale.

REVISIONS				
ZONE	REV	DESCRIPTION	DATE	APPROVED



This drawing is the property of Hayward Turnstiles Inc., and contains proprietary information, it may not be copied, reproduced or transmitted in any manner to a third party without prior written permission of Hayward Turnstiles Inc.

Hayward Turnstiles, Inc

SG525 ADA Gate Dimensions

Material:	SIZE	FSCM NO.	DWG NO.	REV
Finish:	SCALE	None	SG525ADA	
			SHEET	