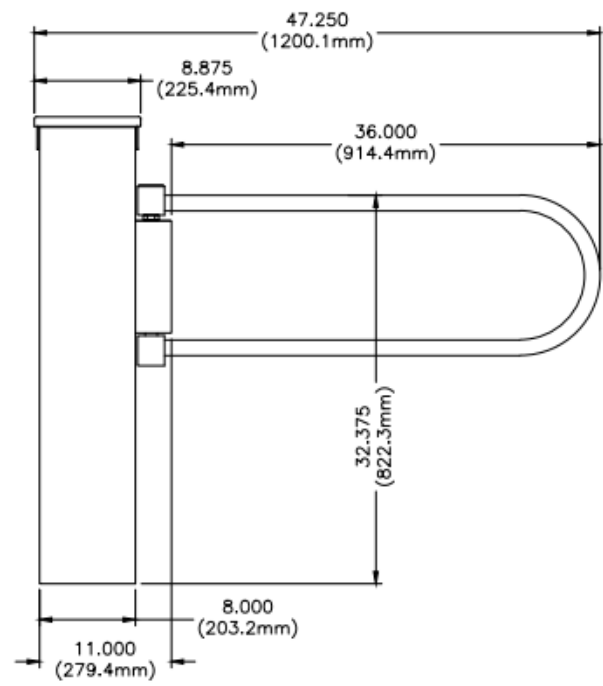
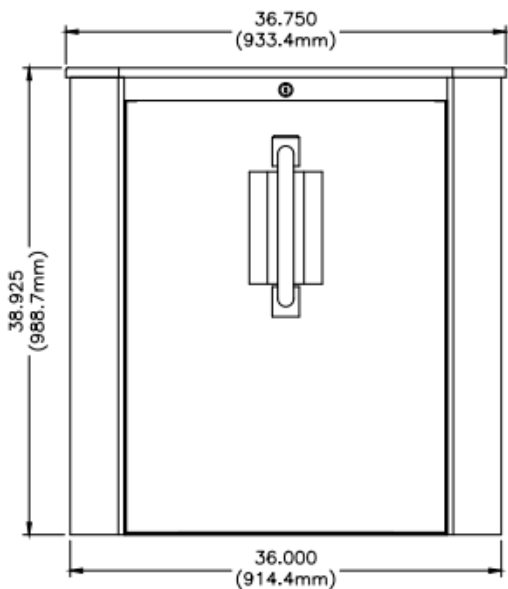
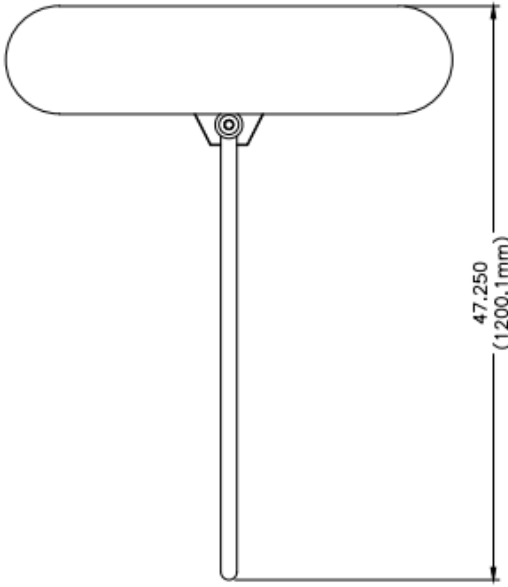




REVISIONS				
ZONE	REV	DESCRIPTION	DATE	APPROVED



**Unless Otherwise Specified All Dimensions are in Inches**

**This drawing is to show dimensions of our products and should not be taken as a final visual representation. Drawings not to scale.**

*This drawing is the property of Hayward Turnstiles Inc., and contains proprietary information, it may not be copied, reproduced or transmitted in any manner to a third party without prior written permission of Hayward Turnstiles Inc.*

Material:  
Finish:

<b>Hayward Turnstiles, Inc</b>				
<b>MR200 ADA Dimensions</b>				
SIZE	FSCM NO.	DWG NO.	<b>MR200 ADA</b>	REV
SCALE	None	SHEET		

