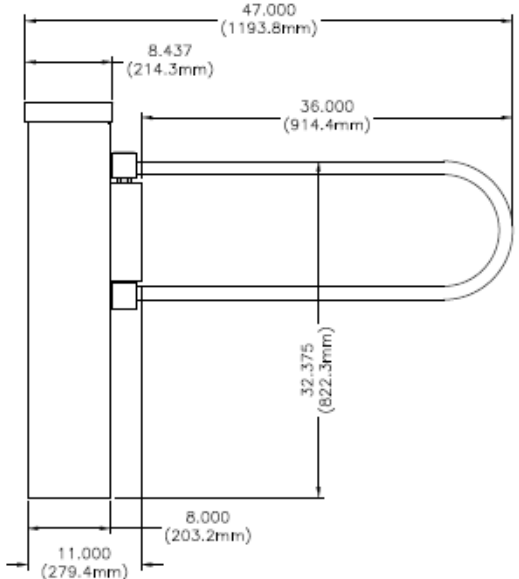
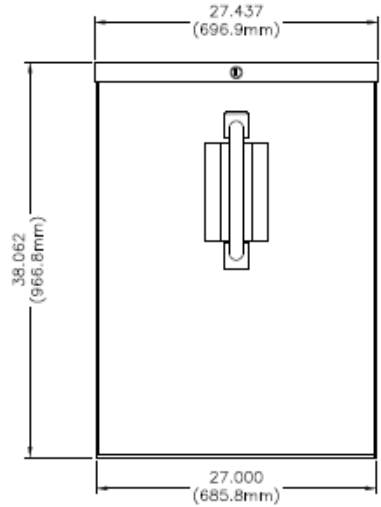
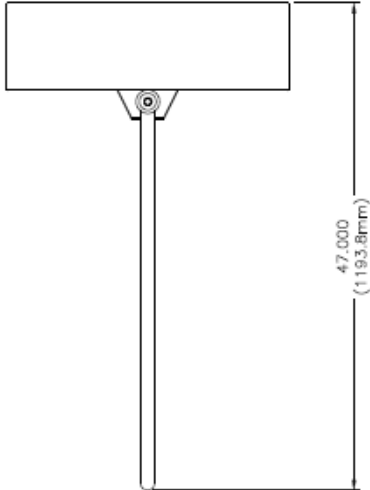




REVISIONS

ZONE	REV	DESCRIPTION	DATE	APPROVED
------	-----	-------------	------	----------



Unless Otherwise Specified All Dimensions are in Inches

This drawing is to show dimensions of our products and should not be taken as a final visual representation. Drawings not to scale.

This drawing is the property of Hayward Turnstiles Inc., and contains proprietary information, it may not be copied, reproduced or transmitted in any manner to a third party without prior written permission of Hayward Turnstiles Inc.

Material:
Finish:

Hayward Turnstiles, Inc

MR100 ADA Gate Dimensions

SIZE	FSCM NO.	DWG NO.	MR100 ADA	REV
SCALE	None	SHEET		

