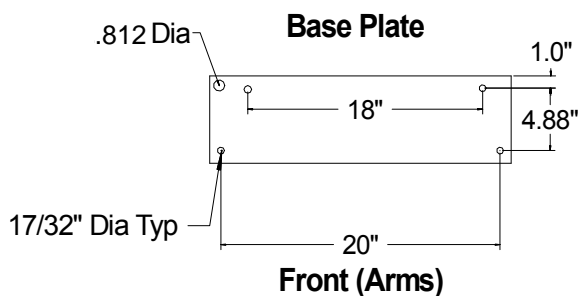
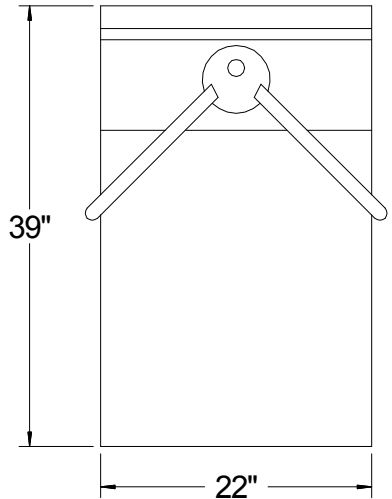
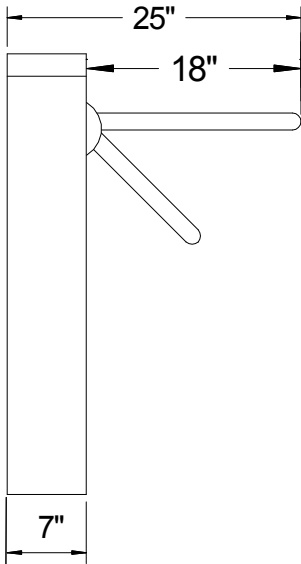




REVISIONS				
ZONE	REV	DESCRIPTION	DATE	APPROVED



**Unless Otherwise Specified
All Dimensions are in Inches**

This drawing is the property of Hayward Turnstiles Inc., and contains proprietary information, it may not be copied, reproduced or transmitted in any manner to a third party without prior written permission of Hayward Turnstiles Inc.

Hayward Turnstiles, Inc				
LC-100 Waist High Turnstile				
Material:	SIZE	FSCM NO.	DWG NO. LC-100	REV
Finish:	SCALE None	SHEET		

