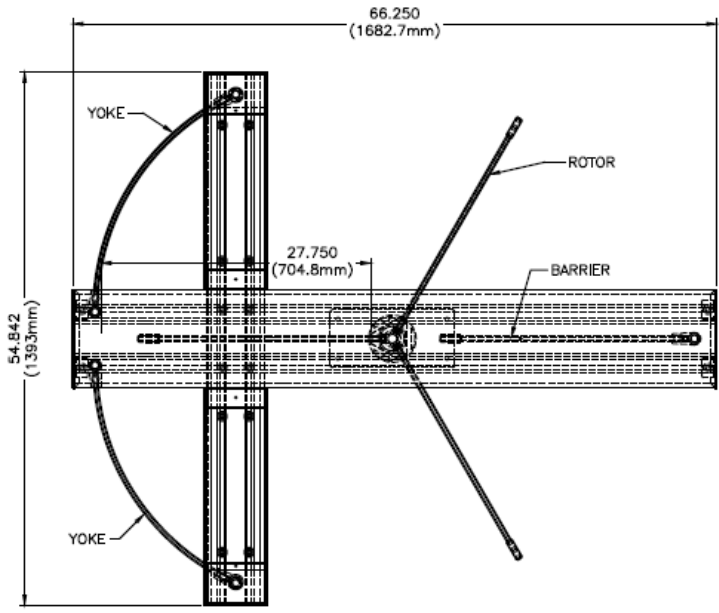
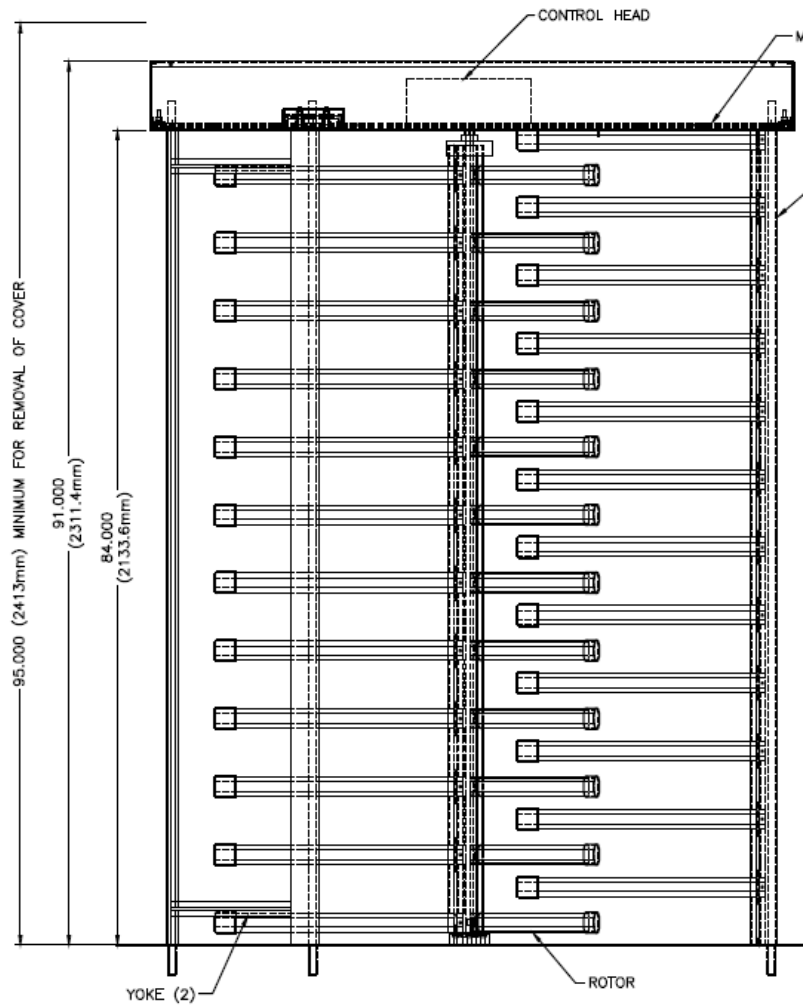


REVISIONS			
REV	DESCRIPTION	DATE	APPROVED



This drawing is the property of Hayward Turnstiles Inc., and contains proprietary information. It may not be copied, reproduced or transmitted in any manner to a third party without prior written permission of Hayward Turnstiles Inc.

HAYWARD TURNSTILES, INC.

HT80 Single Dimensions

- 1.) ALL DIMENSIONS ARE APPROXIMATE
- 2.) DIMENSIONS ARE IN INCHES (mm)
- 3.) DO NOT SCALE DRAWING

Material: Steel	SIZE	FSCM NO.	DWG NO.	HT80	REV
Finish: By Project	SCALE NONE		SHEET		