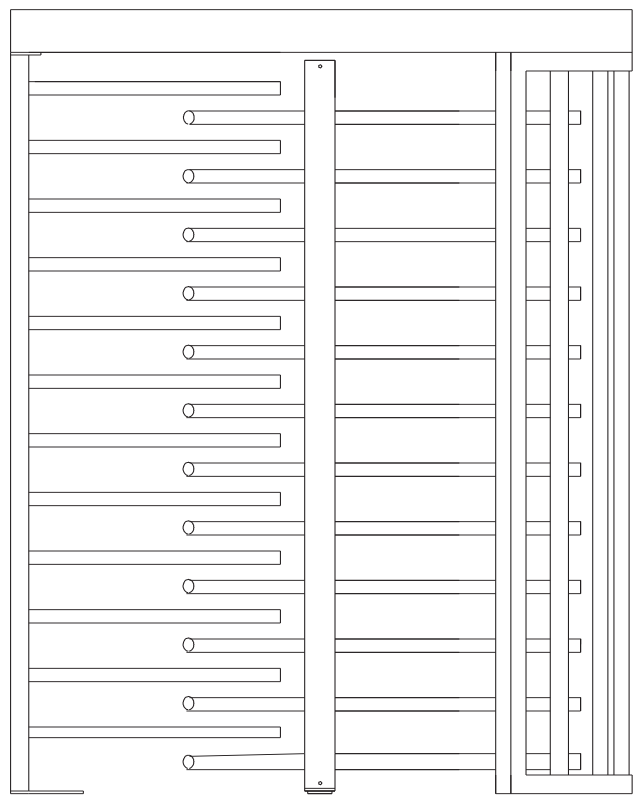
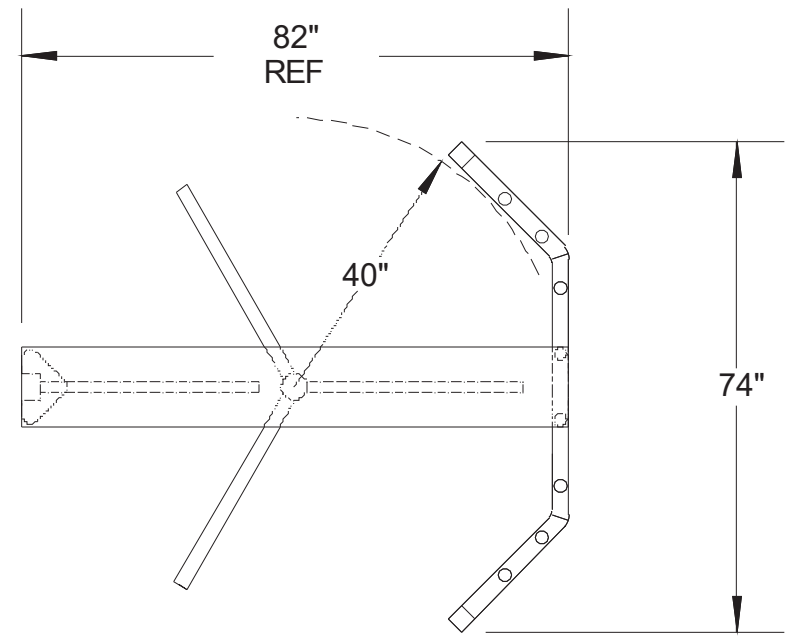


REVISIONS				
ZONE	REV	DESCRIPTION	DATE	APPROVED

82"



89.375"
84"



**Unless Otherwise Specified
All Dimensions are in Inches**

This drawing is the property of Hayward Turnstiles Inc., and contains proprietary information, it may not be copied, reproduced or transmitted in any manner to a third party without prior written permission of Hayward Turnstiles Inc.

Hayward Turnstiles, Inc

HT440 Full Height Turnstile

Material: Steel
Finish:

SIZE	FSCM NO.	DWG NO. HT440	REV
SCALE	None	SHEET	