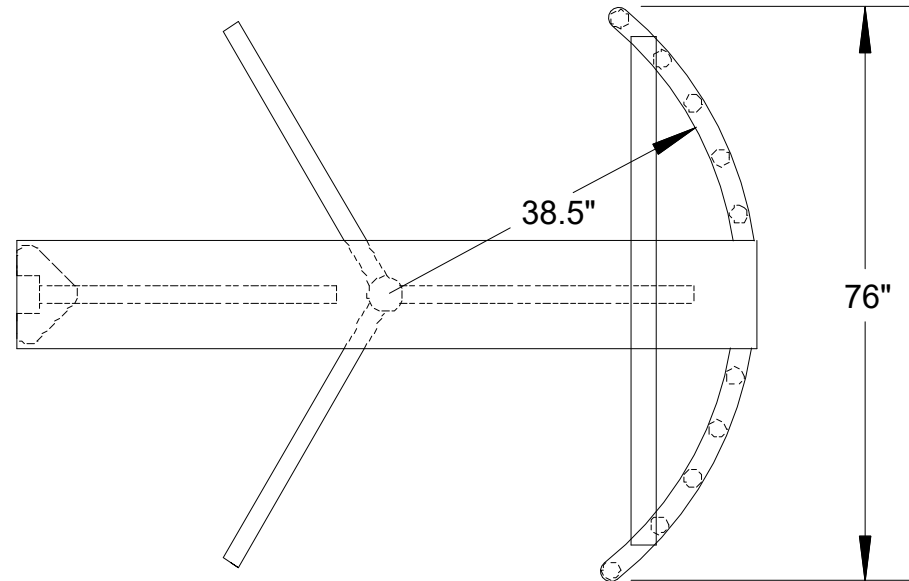
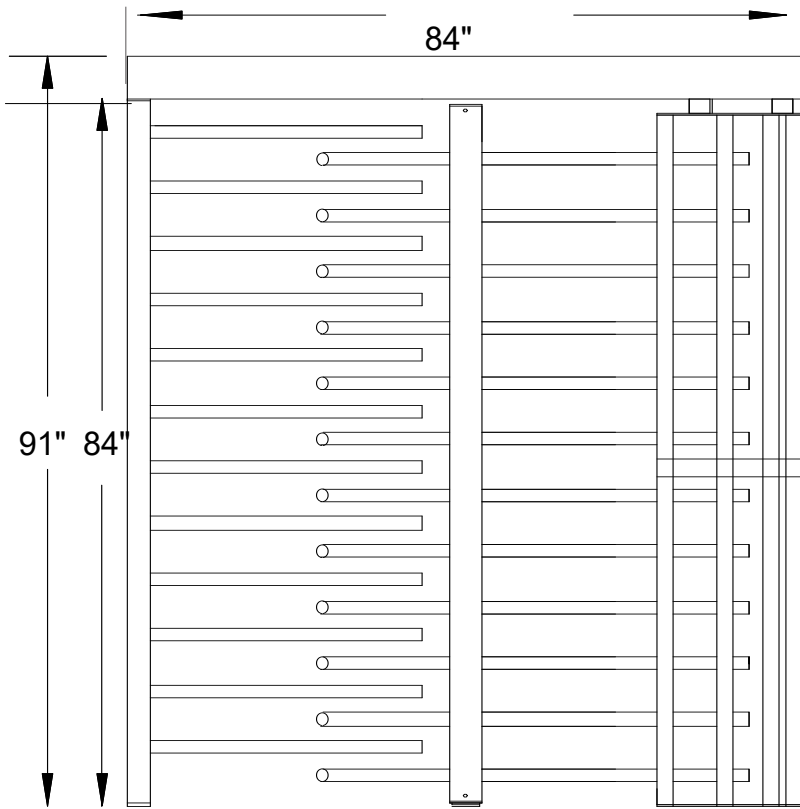


REVISIONS				
ZONE	REV	DESCRIPTION	DATE	APPROVED



**Unless Otherwise Specified
All Dimensions are in Inches**

This drawing is the property of Hayward Turnstiles Inc., and contains proprietary information, it may not be copied, reproduced or transmitted in any manner to a third party without prior written permission of Hayward Turnstiles Inc.

Hayward Turnstiles

HT439 Full Height Turnstile

Material: Steel

Finish:

SIZE	FSCM NO.	DWG NO.	REV
SCALE	None	SHEET	