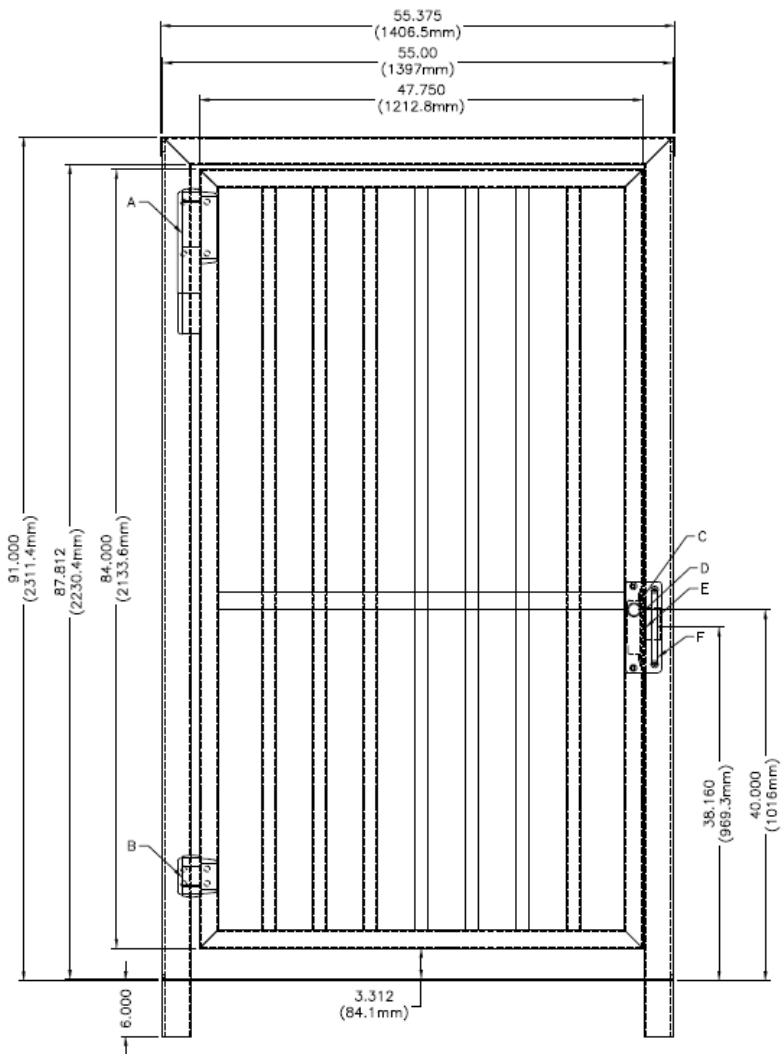
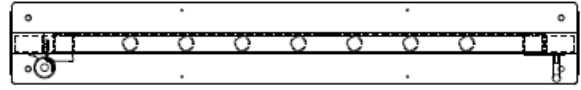


REVISIONS				
ZONE	REV	DESCRIPTION	DATE	APPROVED



TOP VIEW



ALL DIMENSIONS ARE APPROXIMATE
 DIMENSIONS ARE IN INCHES (mm)
 DRAWING NOT TO SCALE

This drawing is the property of Hayward Turnstiles Inc., and contains proprietary information. It may not be copied, reproduced or transmitted in any manner to a third party without prior written permission of Hayward Turnstiles Inc.

HAYWARD TURNSTILES, INC.

HT348 ADA DIMENSIONS

Material: **Steel**
 Finish: **By project**

SIZE	FSCM NO.	DWG NO.	REV
SCALE	NONE		SHEET