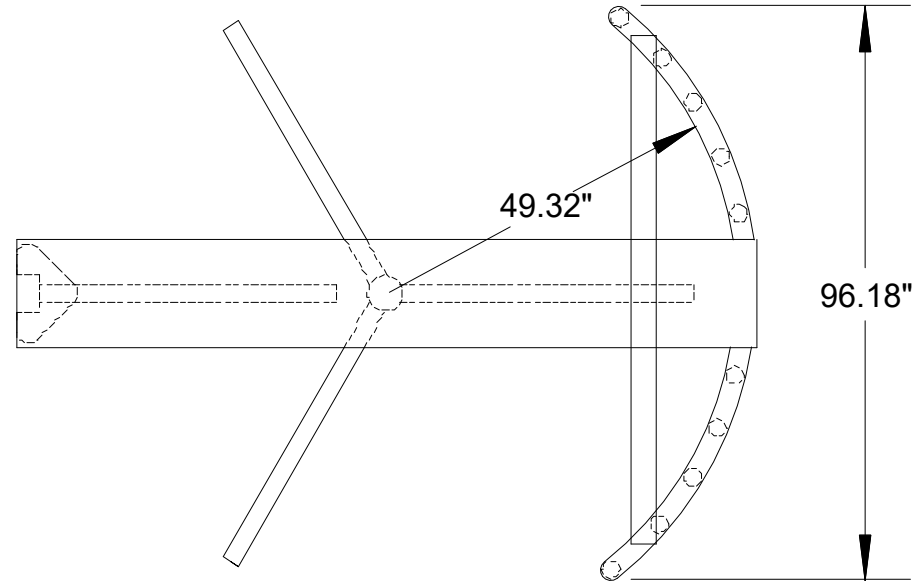
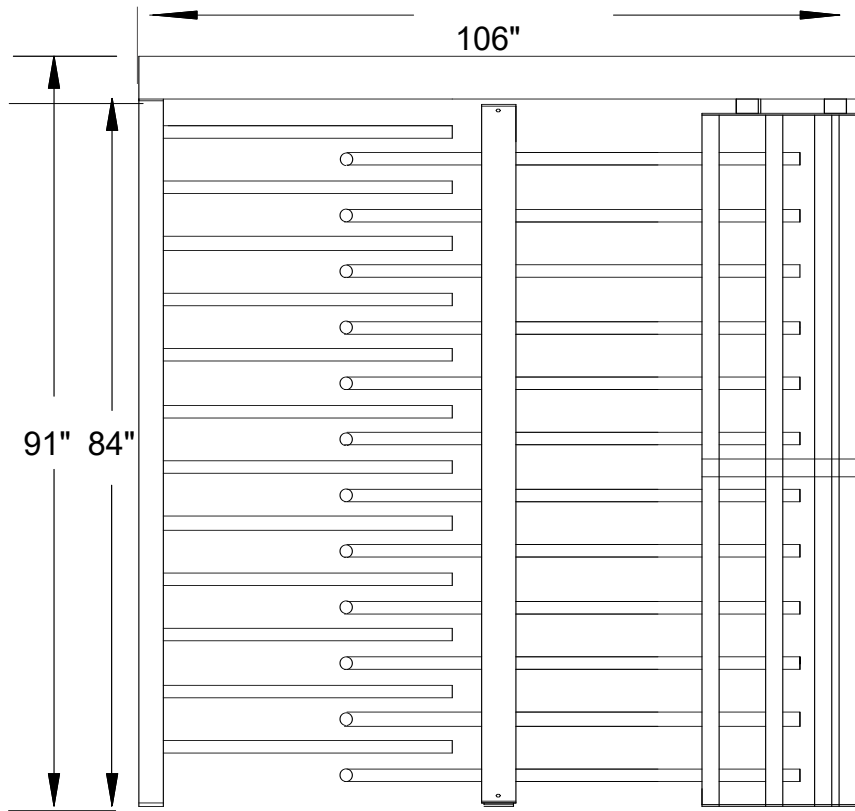


| REVISIONS | | | | |
|-----------|-----|-------------|------|----------|
| ZONE | REV | DESCRIPTION | DATE | APPROVED |
| | | | | |



**Unless Otherwise Specified
All Dimensions are in Inches**

This drawing is the property of Hayward Turnstiles Inc., and contains proprietary information, it may not be copied, reproduced or transmitted in any manner to a third party without prior written permission of Hayward Turnstiles Inc.

Hayward Turnstiles

HT448 Full Height Turnstile

Material: Steel

Finish:

| SIZE | FSCM NO. | DWG NO. | REV |
|-------|----------|---------|-----|
| | | HT448 | |
| SCALE | None | SHEET | |