

Expert Advice. Great Value. Contact Us Today!

Call: [203-647-9147](tel:203-647-9147) Email: sales@haywardts.com

Website: www.haywardturnstiles.com

**FastTurn LC100
Black or Stainless**

Highly Affordable • Classic Design • Made in the USA • Durable & Low Maintenance



**FastTurn LC100
(Black finish)**



**FastTurn LC100
(Stainless)**

Best Selling Tripod Turnstile:

The LC100 FastTurn waist high turnstile is one of the best selling tripod turnstiles on the market. With installations at Six Flags, Madison Square Garden, Hershey Park and many more, the LC100 has solidified its spot as one of the most rugged and trustworthy waist high turnstiles available because of its low maintenance design and its highly attractive price point.

The LC100 integrates with virtually all access control software and hardware via a momentary dry contact and can be fitted with a variety of options including counters, indicator lights, key overrides, electronic locking modules, and more. When simplicity, affordability, and dependability are important, companies choose the Hayward Turnstiles LC100 every time.

Materials and finishes available in:

- Black powder coat over steel
- 304 Stainless Steel

Other single passage models in this series:

FastTurn LC100P Portable Stainless (*Entry-Level Value*)

FastTurn MR100 Stainless (*Mid-Level Value*)

FastTurn MR200 Stainless (*Premium Value*)

About Hayward Turnstiles:

Hayward Turnstiles is a family owned manufacturer and distributor of turnstiles and security gates in Connecticut with over 50 years of precision manufacturing success.

Here at Hayward, customer service and a stress-free ordering environment are our primary goals. The members of our sales team act as your personal access control specialists. They take the time to learn about your specific project needs to ensure that you are matched with the products that best fit your job requirements.

To aid in your decision making process, we offer access control advice, design assistance, same-day quotations, and can even coordinate installation by putting you in contact with an installer from our national network of certified partner installers. We go the extra mile so you don't have to.

See next page for detailed dimensions and specifications.

FastTurn LC100 Specifications

Applications:

The FastTurn LC100 is the perfect waist high turnstile for a variety of applications. This unit was engineered to withstand high traffic volumes with very little maintenance, making it the perfect access control solution for athletic facilities, cafeterias, campuses, amusement parks, stadiums and office buildings. Whether you need to count entrants, direct traffic flows, check credentials, or enhance security, the LC100 is a great choice.

Product Features:

Materials and finishes in your choice of:

- Black powder coat over steel
- 304 Stainless Steel

Design & Construction:

- Simple, classic, and functional design for secure operations
- Heavy duty steel locking bars, cam, and roller assemblies
- Stainless steel arms and lid
- Strong and durable to last a lifetime of use

Turnstile Operation:

- Single direction or bi-directional passage
- Self-centering control head with hydraulic shock suspension

Options:

- Electric locking module featuring heavy-duty 24 VDC solenoids to integrate with access control (your choice of fail safe or fail secure operation)
- Timed push button (electric units only)
- Electronic six digit resettable counter with LCD display and ten-year lithium battery
- Keyed override (electric units only)
- Out of service lock (electric or manual units)
- Red/Green status indicator lights
- Additional options available upon request

Electrical Specifications:

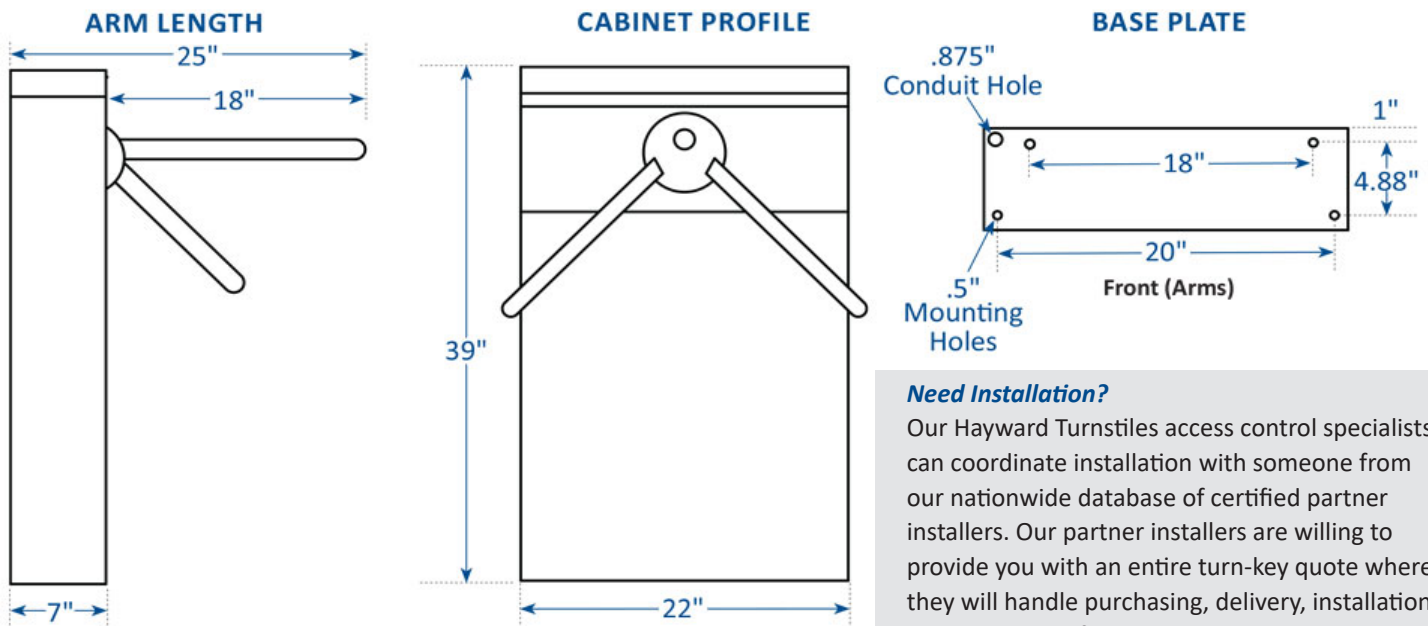
Power supply input 100-240VAC (.7 amp) 50/60hz output 24VDC (1.1 amp) All components UL recognized

Warranty:

Units are warranted against defects in materials and workmanship for a period of one year from date of delivery. See warranty information for specific details.



FastTurn LC100 Dimensions



Need Installation?

Our Hayward Turnstiles access control specialists can coordinate installation with someone from our nationwide database of certified partner installers. Our partner installers are willing to provide you with an entire turn-key quote where they will handle purchasing, delivery, installation, and integration for you.