

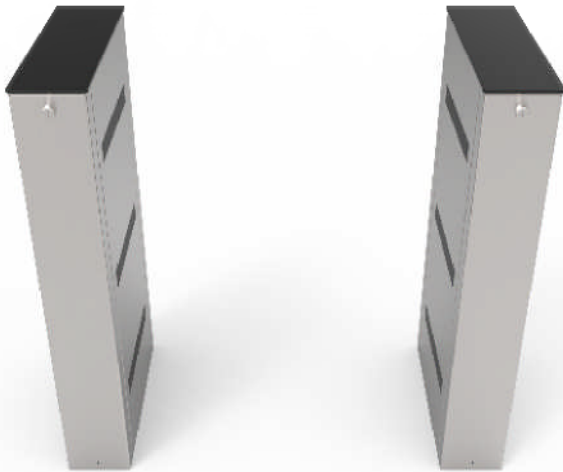
Expert Advice. Great Value. Contact Us Today!

Call: 203-647-9147 **Email:** sales@haywardts.com

Website: www.haywardts.com

EZ Lane OB-1 Barrier Free Security

**Entry-Level Optical • Open Lane Security • Bi-Directional • Space Saver Cabinet
Tailgate Detection • Crawl Detection • Full Alerts • Simple Programming**



EZ Lane OB-1 (28" or 36" ADA opening)

Simple Set Up

Each OB-1 Optical lane is equipped with an internal display and a multi-function selector knob that allows for easy configuration of Optical Turnstile functions and operating modes.



Internal Display and Control Knob

Applications:

Optical turnstiles consist of pedestals that utilize photo electric beams which create a sensing field to monitor the passage of objects. Depending upon the level of security clearance required, they can be used with or without staff and are part of an integrated access control system. Optical turnstiles that are barrier free are usually located in lower security environments where rapid traffic flow and patron counting are important. Lane widths can vary to accommodate ADA compliance.

The EZ Lane OB-1 is our least expensive, budget friendly barrier-free optical turnstile. It has the smallest cabinet footprint and comes in a space saving compact design. It's an excellent value for counting and maximizes traffic flow. The turnstiles are bi-directional, designed to detect unauthorized passage and prevent tailgating.

Superior Optics for Fast Throughput

Whether controlling access to authorized personnel or simply counting entrances and exits, barrier free turnstiles offer the fastest passage throughput.



Two Lane Configuration OB-1

About Hayward Turnstiles:

Hayward Turnstiles has over 50 years of expertise in quality manufacturing of precision aircraft parts and reliable turnstiles.

Our factory, in Milford, CT, is AS9100 Certified to aerospace standards, resulting in superior turnstiles. Engineered to industrial grade specifications, they are durable and built tough for long lasting performance. Proudly made in the USA, we distribute worldwide with installations across the globe.

Get in touch with us for expert advice, design assistance, project review, free quotes, and for help with your access control needs.

Applications:

The EZ Lane OB-1 is our least expensive budget friendly barrier-free optical turnstile. It has the smallest cabinet footprint and comes in a space saving compact design. For use in interior applications staffed by security guards or venue attendants.

STANDARD FEATURES

Quick and smooth optical bi-directional operation.

Barrier free passage for fastest throughput.

Optical Detection:

LED's linked to 32-bit CPU

Throughput/Capacity:

Up to 60 passages per minute for fast user throughput

Alerts (Visible LED & Audible):

- Access Allowed: Green arrow and confirmation tone
- Access Declined: Red X and rejection tones

Tailgate Detection:

- Assures that only one person enters for each authorized credential
- Prevents "Piggybacking" by unauthorized persons

Crawl Under Detection:

Optical LED's detect all movement 7" above the floor

Reader Integration:

- Easily integrates to access control and fire safety systems through dry contact
- Reader mounts internally in cabinet under lane status LED
- Factory installation available - End user supplied reader

Power Supply Voltage:

24 VDC - Maximum power consumption 40 W

Cabinet Style:

Stainless steel cabinet with tempered glass top

Quality Control:

Every unit is inspected, tested, and certified before shipment.

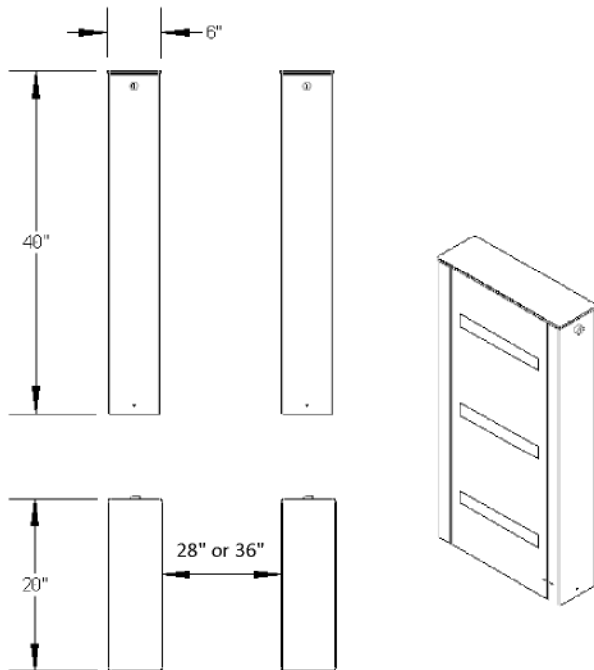
OPTIONS

Lane Mounting Platform (for above floor wiring):

- Cabinet is mounted on rubber pedestal base to conceal wiring
- Walk over conduit for quick installation (no-drilling)

Remote Lane Controller

- Remotely control and change your Optical Turnstile parameters
- Perform diagnostic checks, analyze alarms, display patron counts and much more from an external color LCD touch screen



*OB-1 Barrier Free Optical Turnstile
Standard Dimensions (single lane)*

