



Expert Advice. Great Value. Contact Us Today!
Call: 203-647-9147 Email: sales@haywardts.com
Website: www.haywardts.com

**FastTurn LC100P (Portable)
Black or Stainless**

Entry-Level Value • Simple classic design • Strong and durable • Lasts a lifetime



**FastTurn LC100P (Black finish)
with Padded Safety Sleeves**



FastTurn LC100P (Stainless)

Shown without sleeves

Padded Safety Sleeves for turnstiles help prevent accidents and enhance usability.

- Avoids injuries
- Cushioned padding
- Reduces bruising
- Easy to push
- Softens impact
- Low profile discreet look

See back for detailed dimensions and specifications.

Applications:

The FastTurn LC100P is the perfect waist high portable turnstile for a variety of applications ranging from athletic facilities, cafeterias, and schools, to amusement parks, stadiums and office buildings.

The simple classic, rugged and durable design has been built to withstand the abuse of a mass transit system while maintaining an affordable budget price.

Wherever control of pedestrian traffic is necessary, these waist high turnstiles will perform flawlessly. Used as either stand alone units or as part of a fully integrated security control package, these turnstiles offer great quality and value.

Materials and finishes available in:

- Black powder coat over steel
- 304 Stainless Steel

Other single passage models in this series:

- FastTurn LC100 Black or Stainless (*Entry-Level Value*)
- FastTurn MR100 Stainless (*Mid-Level Value*)
- FastTurn MR200 Stainless (*Premium Value*)
- FastTurn MR200 Plus Stainless (*Premium Value*)

About Hayward Turnstiles:

Hayward Turnstiles has over 50 years of expertise in quality manufacturing of precision aircraft parts and reliable turnstiles.

Our factory, in Milford, CT, is AS9100 Certified to aerospace standards resulting in superior turnstiles. Engineered to industrial grade specifications, they are durable and built tough for long lasting performance. Proudly made in the USA, we distribute worldwide with installations across the globe.

Get in touch with us for expert advice, design assistance, project review, free quotes and for help with your security needs.

***FREE Safety Sleeve 3 Pack with any Waist High Turnstile order.**
Was ~~\$149.95~~ (**Save \$149.95**)...now **FREE!**
Call 203-647-9154 for details.

FastTurn LC100P Specifications

Applications:

The FastTurn LC100P is the perfect waist high portable turnstile for a variety of applications ranging from athletic facilities, cafeterias, and schools, to amusement parks, stadiums and office buildings.

The simple classic, rugged and durable design has been built to withstand the abuse of a mass transit system while maintaining an affordable budget price.

Product Features:

- Portable
- 304 Stainless Steel

Design & Construction:

- Simple classic and functional design for secure operations
- Heavy duty steel locking bars, cam, and roller assemblies
- Stainless steel arms and lid
- Strong and durable to last a lifetime of use

Turnstile Operation:

- Single direction or bi-directional passage
- Self-centering control head with hydraulic shock suspension

Options:

- Electronic six digit resettable counter with LCD display and ten-year lithium battery
- Additional options available upon request

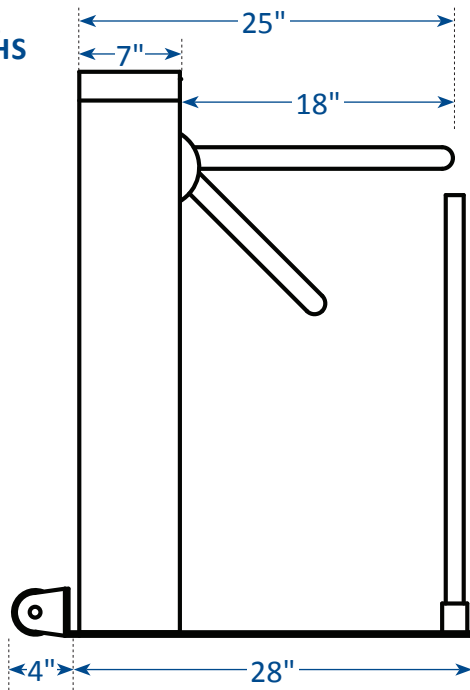
Warranty:

Units are warranted against defects in materials and workmanship for a period of one year from date of delivery. See warranty information for specific details.



FastTurn LC100P Dimensions

CABINET & ARM LENGTHS



CABINET PROFILE

