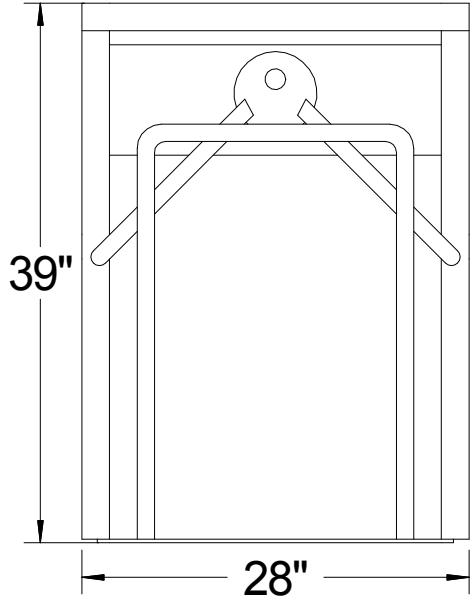
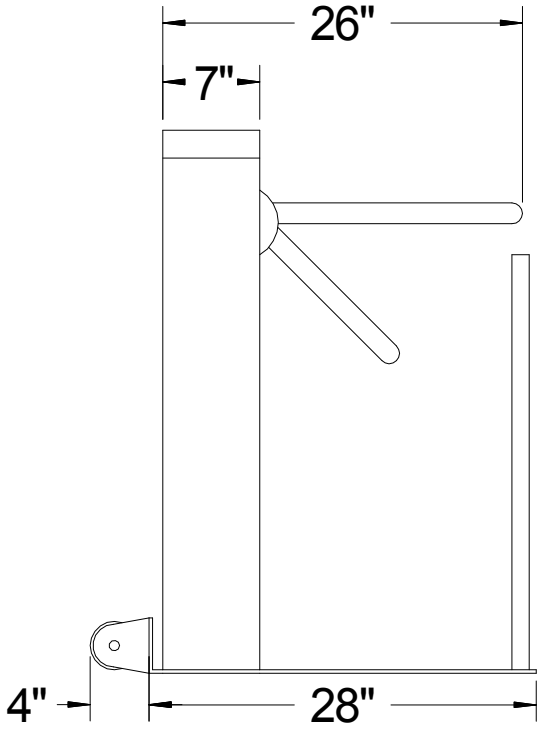




REVISIONS

ZONE	REV	DESCRIPTION	DATE	APPROVED
------	-----	-------------	------	----------



Unless Otherwise Specified
All Dimensions are in Inches

This drawing is the property of Hayward Turnstiles Inc., and contains proprietary information, it may not be copied, reproduced or transmitted in any manner to a third party without prior written permission of Hayward Turnstiles Inc.

Hayward Turnstiles, Inc

MR-100 Portable Turnstile

Material:
Finish:

SIZE	FSCM NO.	DWG NO.	MR-100 P	REV
SCALE	None	SHEET		

